

BUTTERFLY-VALVE PVC-U - PP

FEATURES

The butterfly-valves are wafer-style valves intended for current valve applications. This butterfly-valve made of reinforced PP, PN10, is used to isolate low-pressure water, acid or alkaline fluid networks (table of resistance of materials). The notched and pad-lockable handle makes it possible to lock the valve in different positions. The materials used are anti-UV coated. The valve has an ISO 5211 mounting pad for mounting an actuator.



AVAILABLE VERSIONS

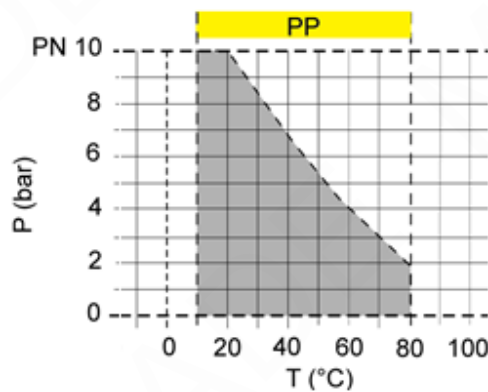
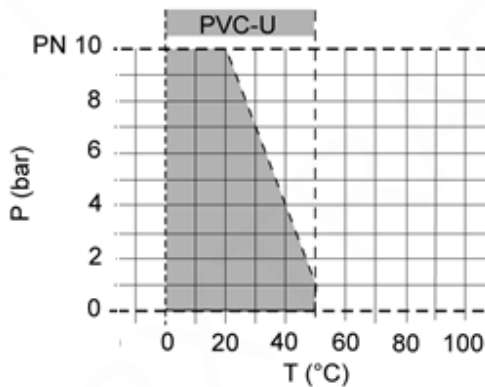
REFERENCE	BUTTERFLY	BODY	GASKETS
MXT-12153	PP-GF	PVC-u	EPDM
MXT-12166	PP-GF	PVC-u	FPM
MXT-14153	PP-GF	PP	EPDM
MXT-14166	PP-GF	PP	FPM

Diameter: DN40 to DN200

Diameter: DN250 to DN300 PVC-U version EPDM sleeve

Connection between flanges according to DIN 2501 PN10/16 (or ANSI150)

LIMITS OF USE

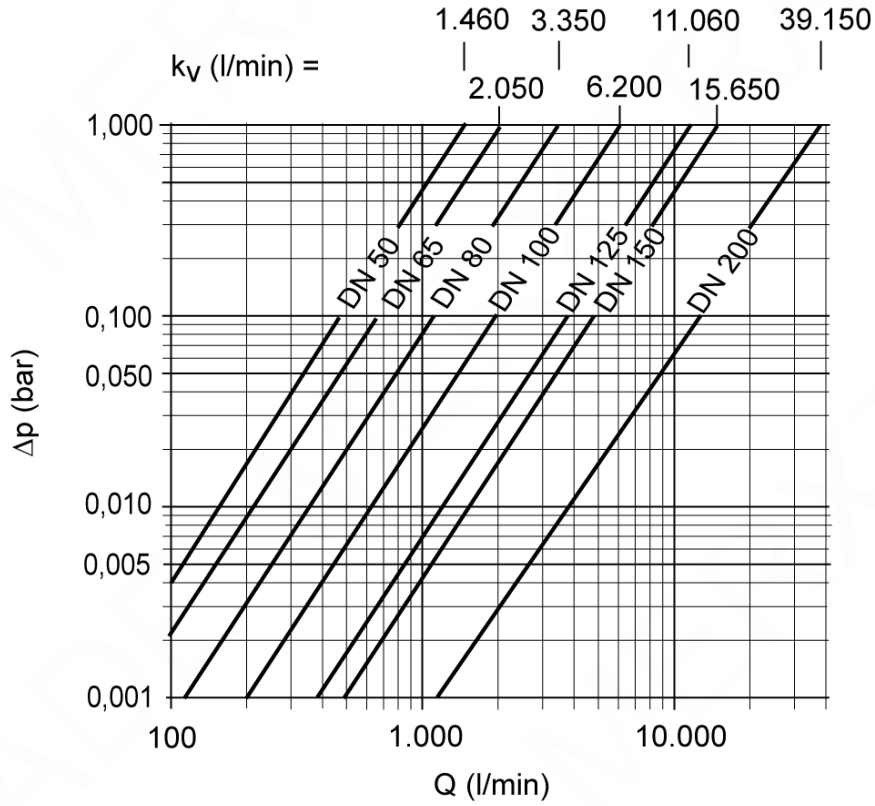


The limits of each material are available for the nominal pressures indicated, These are indicative values for non-hazardous transported materials (DIN 2403), for which the valve material is resistant.

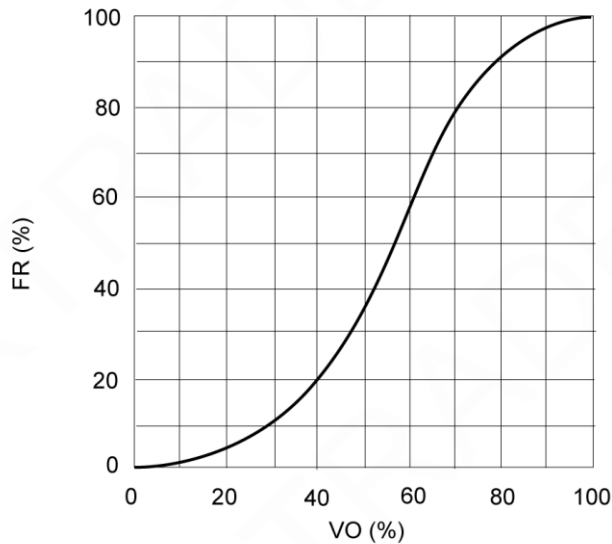
Please contact us for use at temperatures below 0°C (+10°C for PP).

HYDRAULIC FEATURES

Pressure drop curve (Indicative value for H₂O at 20°C)



ΔP = Pressure drop
Q = Flow-rate



VO = valve opening

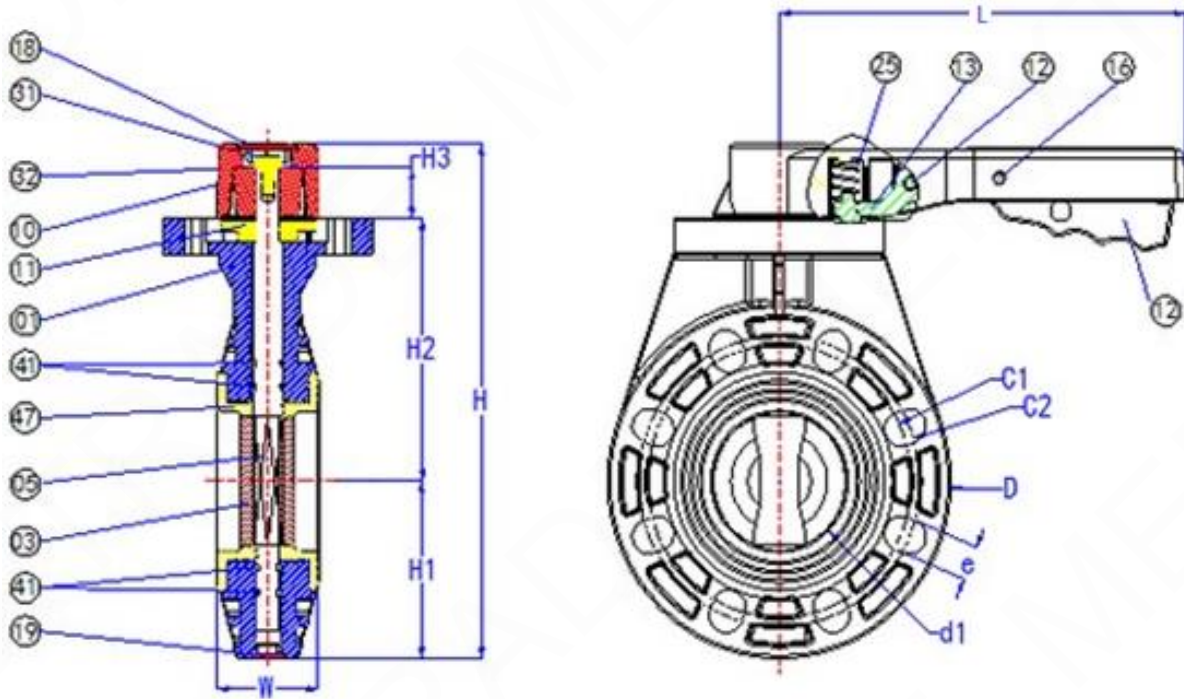
Information given as an indication only, and subject to possible modifications

FR = Kv value

DIMENSIONS (mm) d1

DN	d1	C1	C2	H	H1	H2	H3	D	W	L	n*-e
40	40	98	110	228	74	114	15	148	34	231	4-19
50	52	120	1250	245	81	124	15	162	44	231	4-19
65	66	140	145	259	89.5	129	19	179	46	231	4-19
80	78.5	150	160	283	97.5	145	18	195	57	231	8-19
100	104	175.5	190.5	313	112.5	160	19	225	60	231	8-19
125	127	210	216	348	127.5	175	16	255	66	280	8-23
150	151	240	241	375	140	190	20	280	72	280	8-23
200	200	290	298	434	172.5	219.5	25	340	82	280	8-23

*n= hole number

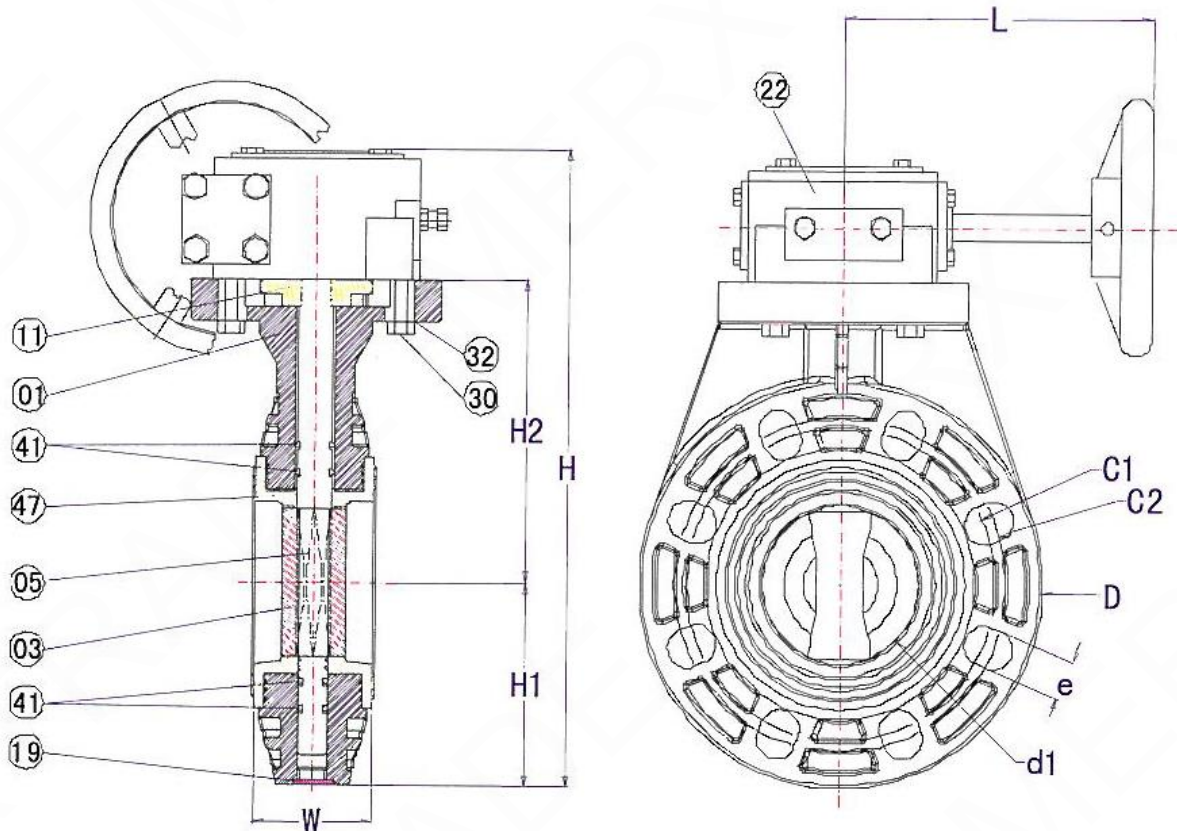

CONSTRUCTION

N°	Item	PL1 PVC-U	PL1 PP	N°	Item	PL1 PVC-U	PL1 PP
01	Body	PVC-u	PP	18	Cap	ABS	ABS
03	Butterfly	PP-GF	PP-GF	19	Plug	PP	PP
05	Stem	1.4301 SS	1.4301 SS	25	Spring	1.4301 SS	1.4301 SS
10	Handle	ABS	ABS	31	Screw	1.4301 SS	1.4301 SS
11	Stem ring	PVC-u	PP	32	Washer	1.4301 SS	1.4301 SS
12	Trigger	PVC-u	PP	41	Stem gaskets	EPDM / FPM	EPDM / FPM
13	Latch	PVC-u	PP	47	Liner	EPDM / FPM	EPDM / FPM
16	Pin	ABS	ABS				

DIMENSIONS (mm) DN250 and DN300 versions

DN	d1	C1	C2	H	H1	H2	D	W	L	n*-e
250	251	350	362	537	205	257	410	92	199	12-25
300	290	400	431.5	628.5	242.5	302	485	98	250	12-25

*n= hole number


CONSTRUCTION

N°	Item	PL1 PVC-U	N°	Item	PL1 PVC-U
01	Body	PVC-u	22	Manual gear box	Steel
03	Butterfly	PP-GF	30	Screw	1.4301 SS
05	Stem	1.4301 SS	32	Washer	1.4301 SS
11	Stem ring	PVC-u	41	Stem gaskets	EPDM
19	Plug	PP	47	Liner	EPDM